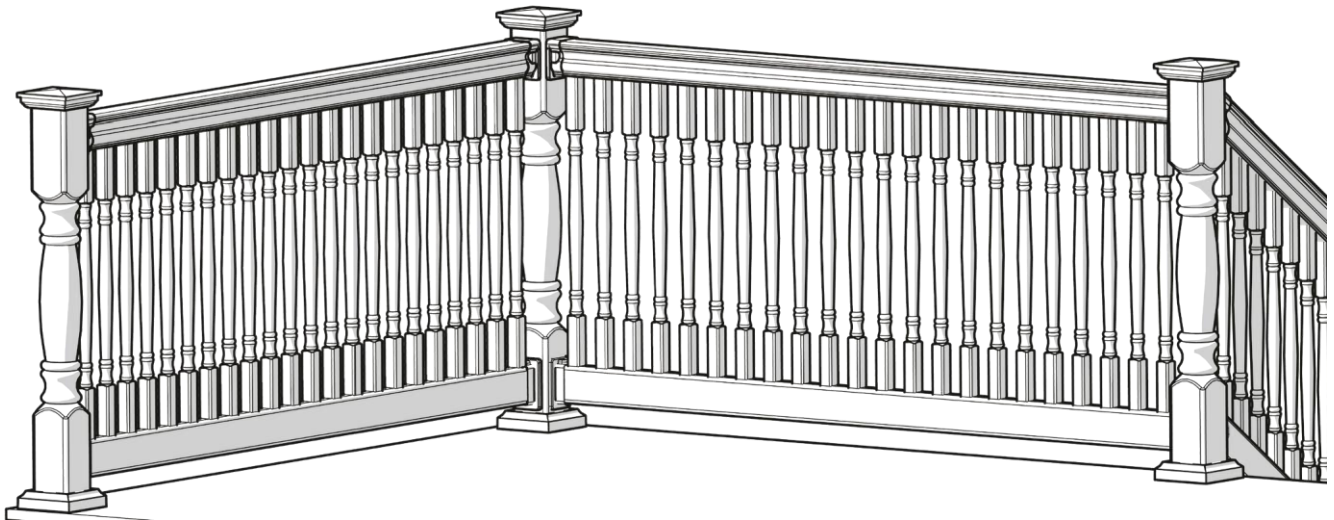




Superior Vinyl Railing



Recommended Tools

What's Included

- Safety Glasses
 - Tape Measure & Pencil
 - Saw w/ fine-tooth blade
 - Rubber Mallet
 - Level *(Posts/ Post Mounts, Caps, & Trim sold separately)*
 - Power Drill w/ square bit driver
 - Hammer Drill *(if concrete install)*
 - *These directions are only a guide and may not address every situation.*
 - *Always wear proper safety equipment while assembling and installing.*
 - *The installer should obtain all required building permits and follow all installation procedures in accordance with applicable building code requirements.*
- Top and Bottom Rails
 - Aluminum Rail Inserts
 - Balusters
 - Mounting Brackets w/ screws

- Superior Plastic Products, Inc. shall not be held liable for improper or unsafe installations.
- Applying paint, will void your warranty.
- To ensure proper coverage by our warranty please visit our website and complete the warranty form and mail to: Superior Plastic Products, Inc., 260 Jalyn Drive, New Holland, PA 17557

260 Jalyn Drive • New Holland, PA 17557

SPPIG170104

1

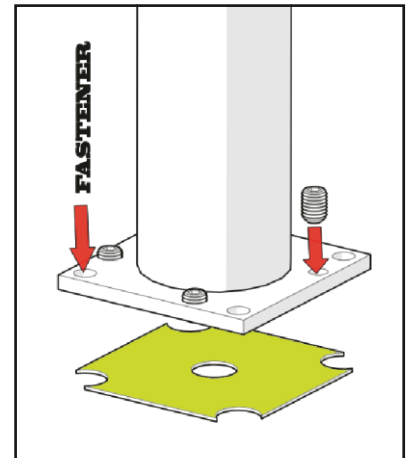
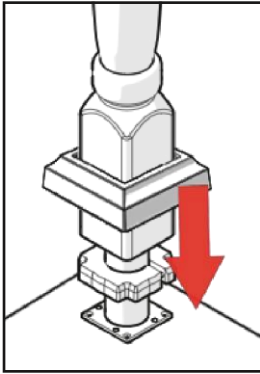
Install Newel Post & Post Trim

Space Posts according to deck configuration and Top Rail length.

Place Leveling Plate (*highlighted*) between Post Mount and mounting surface. Attach to structural surface using bolts or lags (*not included*). Using a 3/16" Allen wrench, turn set screws to level Post Mount.

First place Trim. Then place Vinyl Post Cover over Post Mount / Wood Beam and Post Spacers.

Check your local building codes to determine structural mounting requirements for Post Mount.

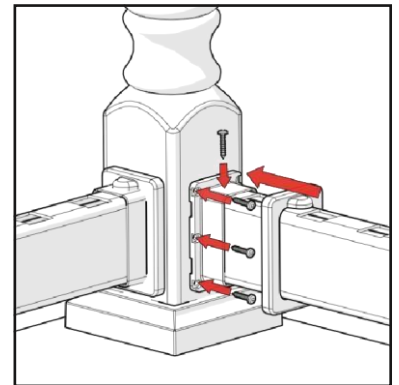
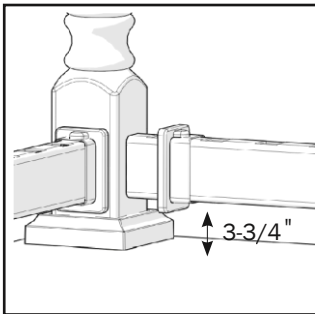


2

Attach Bottom Rail

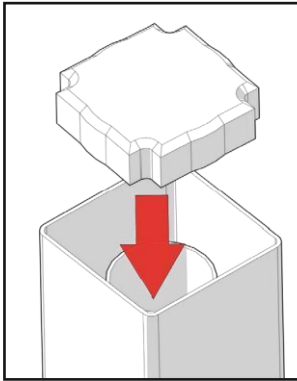
Measure between Posts subtracting 1/4" from total length, and if necessary cut Rails and Rail Insert to proper length by cutting an equal amount from each end. Do not cut through Baluster holes.

Slide the Bracket over the Rails, then put the Rail in place (3-3/4" above mounting surface) and slide the Bracket against the Post. Fasten Bracket to center of Post using provided screws, and secure Bracket to Railing. Then slide Screw Cover into place.



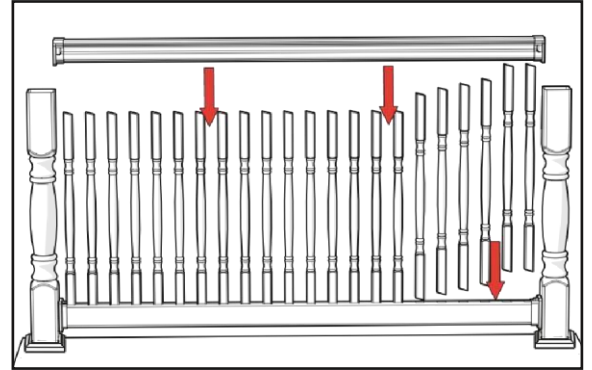
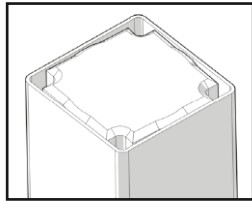
Tip: Cut a block to 3-3/4" and set Bottom Rail on it for support during installation

3 Install Balusters



Insert Balusters into the holes in the Bottom Rail. Push firmly to set.

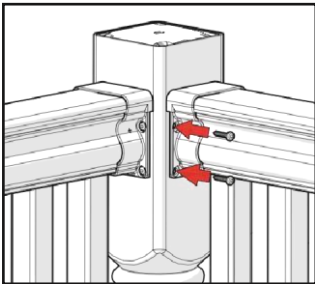
Insert Post Spacers so they remain flush with the top face of Post.



Note: Check local building codes to ensure proper Baluster spacing

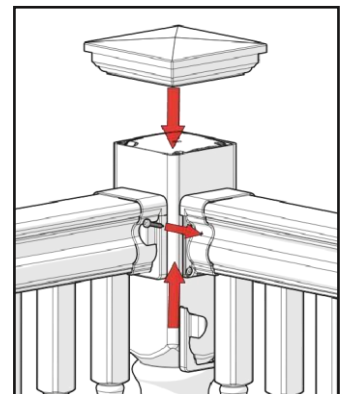
4

Attach Top Rail



Place Top Rail with Rail Insert 36" or 42" (*measured from the deck surface to the top face of the Rail*), and onto Balusters. Fasten to center of Post with provided screws. Secure Bracket to railing then slide Screw Covers into place.

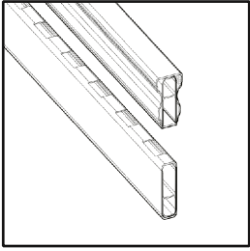
Place Cap on Post and use a rubber mallet to set in place.



5

Stair Rail Installation

Measure from inside edge between Posts subtracting 1/4" (1/2" for **non-standard stair angle*) from total length, and if necessary cut Rail/ Rail Insert to proper length by cutting an equal amount from each end. Do not cut through Baluster holes



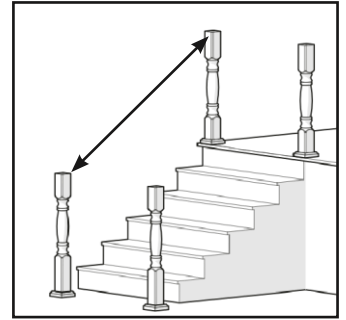
To ensure Rails align properly. Cut Upper and Lower ends of Top and Bottom Rails at opposite angles.

Repeat steps 2 through 4 to install Rails, Mounts, and Balusters.

*Standard stair angle is 34°

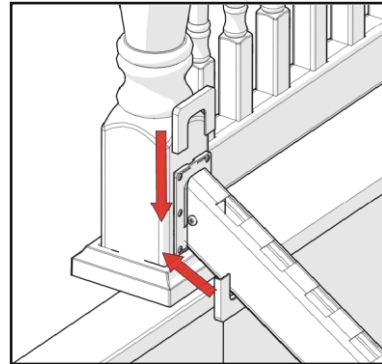
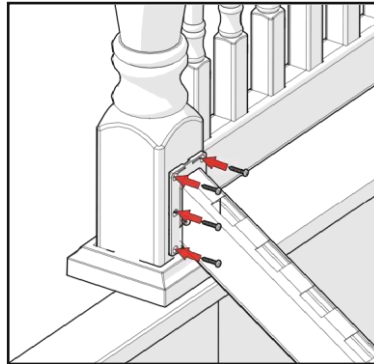
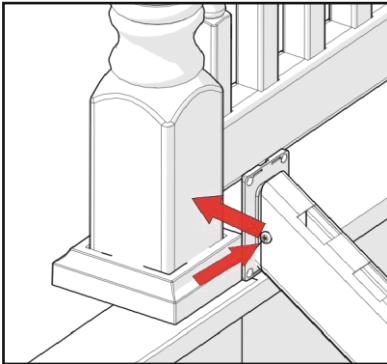
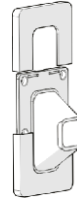
For non-standard stair angle (<32° or >36°) a

Universal Stair Mounting Bracket must be used.



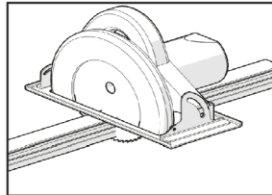
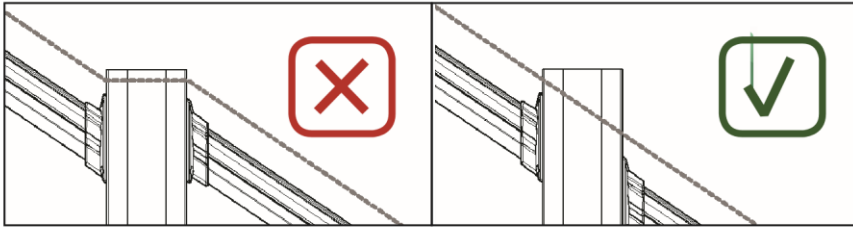
Universal Stair Mounting Bracket

Secure the Bracket to the Rail prior to attaching to Post. Then put the Bracket in place, and attach to the center of the Post using provided screws. Now slide Screw Covers into place.





When installing stair sections, mount them as shown below:



Cutting Tip

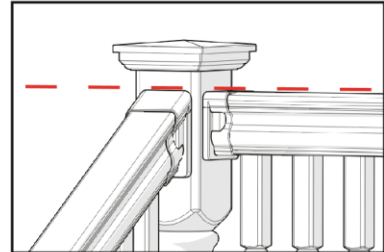
Be sure to use a fine-tooth blade approved for cutting aluminum and rest rails on a piece of non-abrasive material to protect from scratches.

Gate Install

As opening sizes can vary when installing a Gate; refer to instructions supplied with Gate Hardware to determine the proper opening width for Gate to be installed.



Ensure that the stairs' Top Rail doesn't exceed the level height



NOTE: Check local building codes

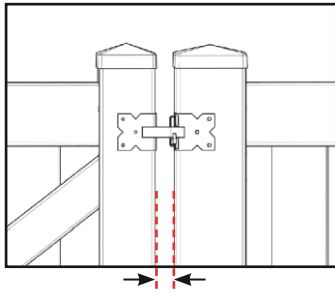
are mandates regarding the size opening beneath the bottom rail.

Rail Height

of the opposite Rail. to

ensure compliance as there





Gate Spacing

260 Jalyn Drive • New Holland, PA
17557

SuperiorPlasticProducts.com

